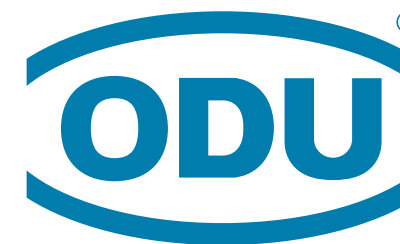
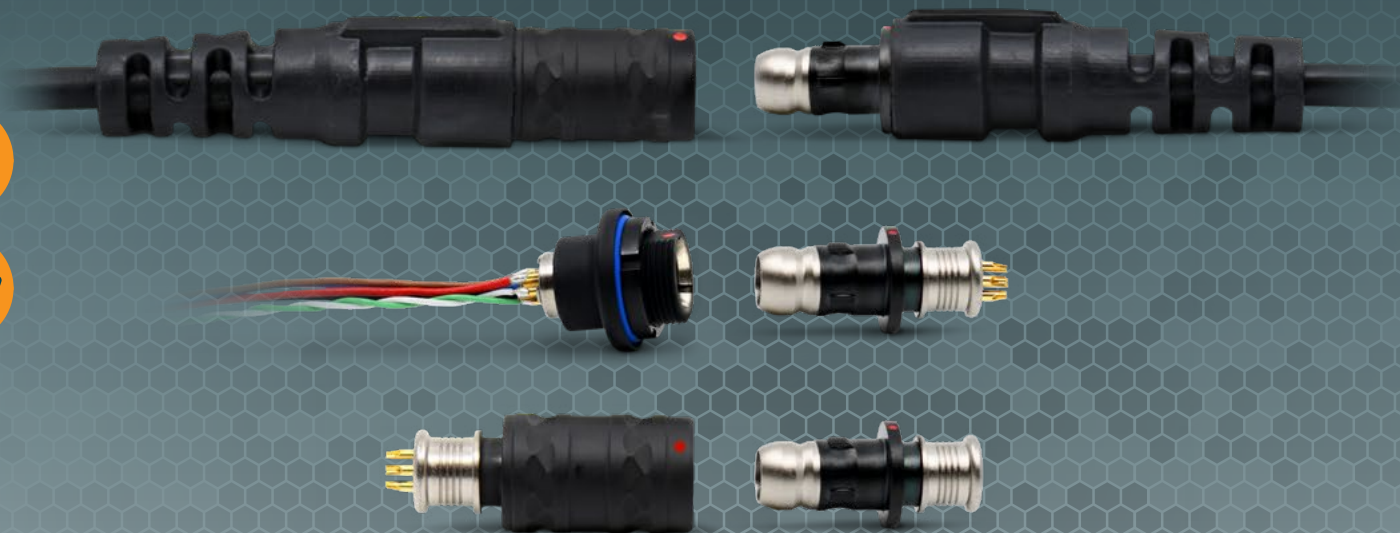


ODU AMC[®] NP

Quick-disconnect connector for military applications



Compatible with: NATO STANAG 4695, Nett Warrior and GOSSRA



ODU AMC[®] NP

Quick disconnect connector

The ODU AMC[®] NP is one of the world's most recognized high-performance quick-disconnect miniature connectors. Due to its easy handling and robust break-away design, this connector is ideal for military and security applications.

ODU AMC[®] NP connectors are available in 6 or 7 position configurations.

This connector portfolio is available with cable assembly integrated solutions.



**HIGH
CURRENT
CONTACTS**

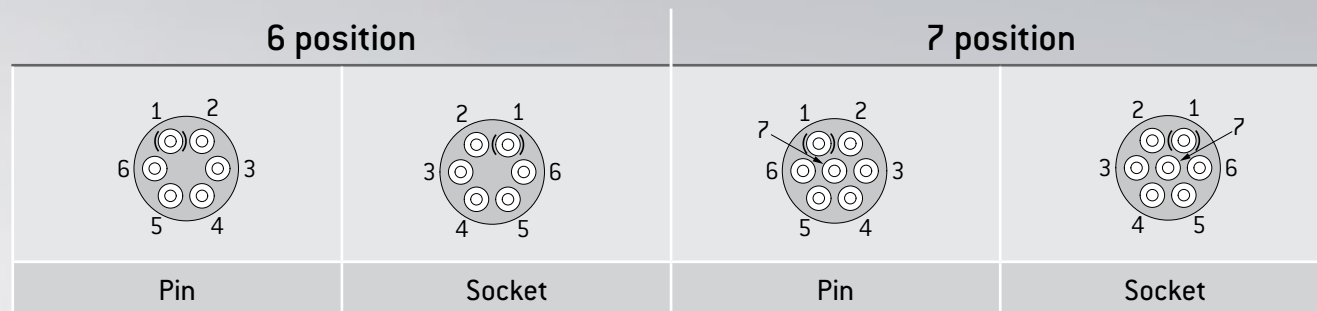


Additional features include:

- + Quick disconnect
- + High current contacts with USB[®] 2.0¹ capabilities
- + Minimum 2,000 mating cycles
- + IP68, 20 m, 120 min
- + Options for solder or PCB terminations
- + RoHS compliant black carbon plating
- + Robust break-away design
- + Cable assembly integrated solutions

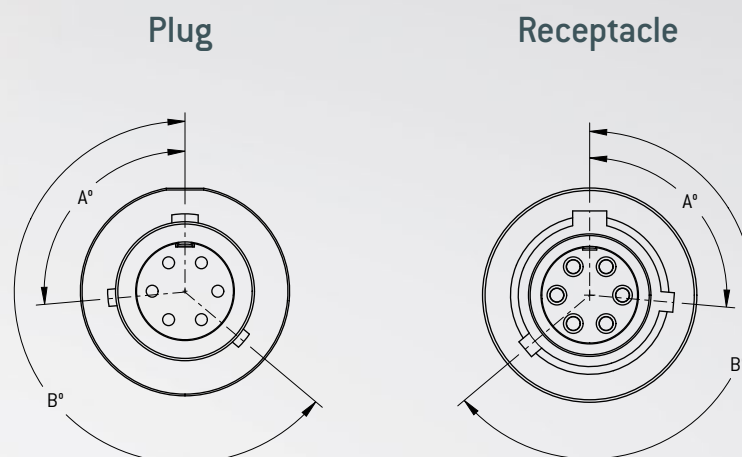
¹The contact arrangement of an ODU data transmission connector differs from a standard data transmission connector due to the robust ODU specific design. However, the ODU design meets the electrical specifications of the respective standard data transmission protocol. Performance may depend on cable selection.

Contact inserts



NW keying guide

Keying	A°	B°
Ø	95	230
A	150	210
B	75	210
D	140	275
E	75	275
F	95	210
G	165	195
H	140	220
J	115	245
K	105	205
L	155	255



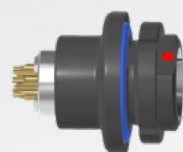
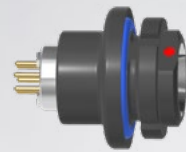
Type	Performance	Procedure
Protection class (mated) IP68	IP68, 20 m 120 min	ISO 20653:2013
Operating temperature	-18 °C up to +71 °C	MIL-STD-810H
Mating cycles	Minimum 2,000	MIL-STD-810H
Shell-to-shell resistance	<50 m Ohms	Verification
Current capacity	Up to 7.5 A	MIL-STD-810H
Salt atmosphere	Two (2) 24-hour cycles	MIL-STD-810H
Random vibration	37.8 g	MIL-STD-810H

Ideal for tactical soldier batteries, PDU (power distribution units), CWB (conformable wearable batteries), and C4ISR peripherals.

Compatible with open architecture standards such as NATO STANAG 4695, Nett Warrior, and GOSSRA (General Open Structure Architecture).



Select your connector



Number of contacts	Jam nut receptacle PCB	Jam nut receptacle solder	Break-away plug solder	In-line receptacle solder
6 contacts	GK6N0P-P06U230-0000	GK6N0P-P06W230-0000	A16N0P-P06X230-0000	K16N0P-P06W230-0000
7 contacts	GK6N0P-P07U230-0000	GK6N0P-P07W230-0000	A16N0P-P07X230-0000	K16N0P-P07W230-0000

Additional technical documentation

- [ODU AMC® NP Technical Catalog](#)
- [Assembly Instruction – Solder version](#) (D00025395)

Improved power contacts and
RoHS compliant black carbon plating

