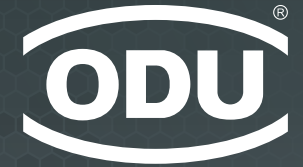
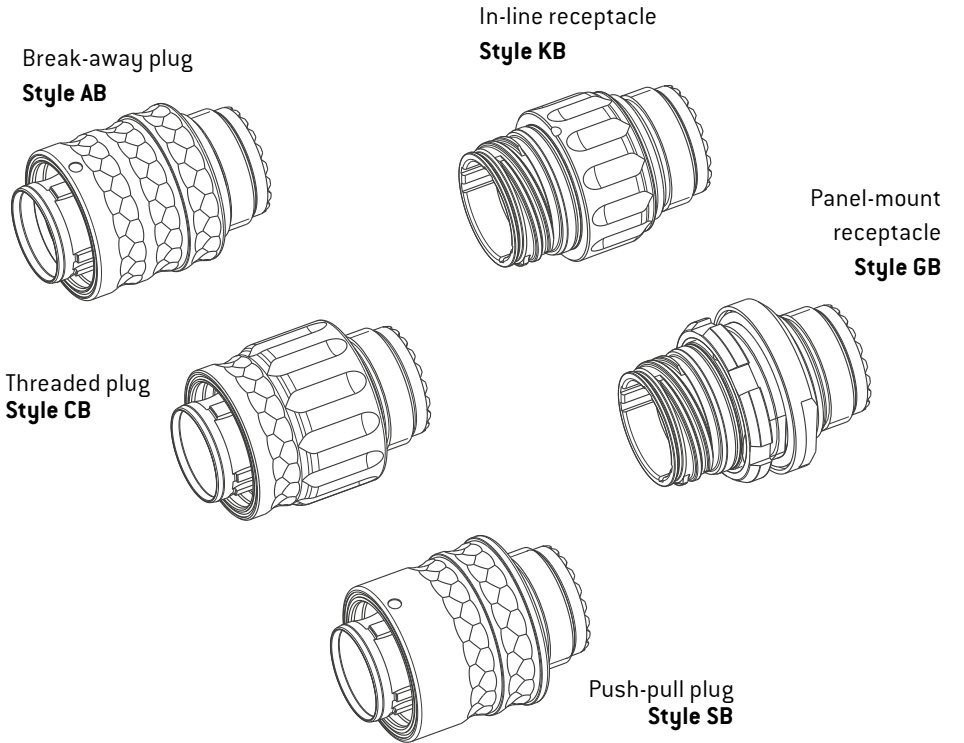


# ODU AMC<sup>®</sup> SERIES T

Connectors with backshell termination acc. MIL-DTL-38999 SERIES III



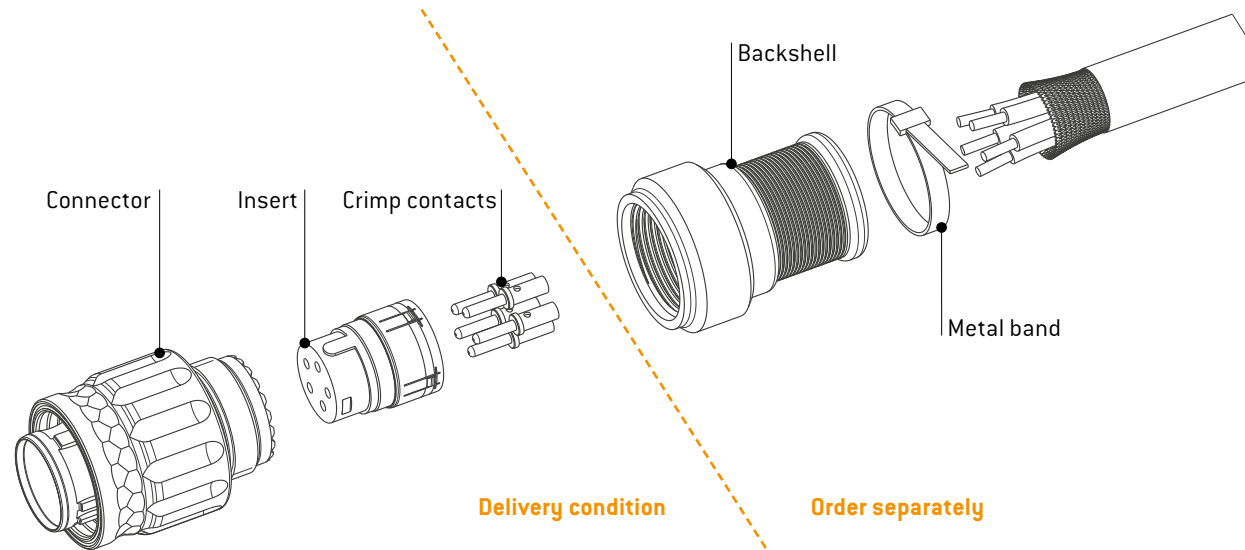


## TABLE OF CONTENTS

<b>ASSEMBLY STEP BY STEP</b> .....	<b>03 – 05</b>
CONNECTORS WITH BACKSHELL TERMINATION	
<b>GENERAL NOTES</b> .....	<b>06</b>
<b>SHIELDING TERMINATION</b> .....	<b>07</b>
<b>CABLE INTERFACE</b> .....	<b>08</b>

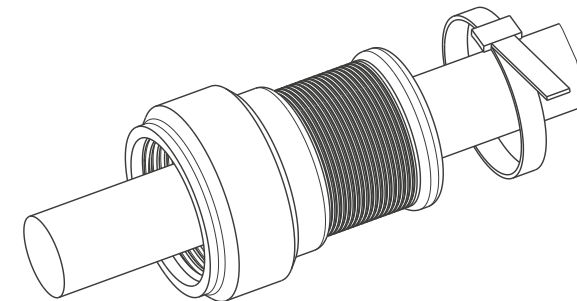
# ASSEMBLY STEP BY STEP

## CONNECTORS WITH BACKSHELL TERMINATION



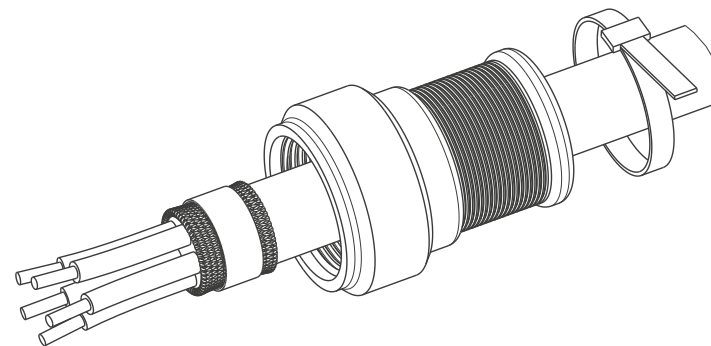
### Step 1

- Slide backshell and metal band over the cable. If the metal band is needed or not depends on the used backshell.



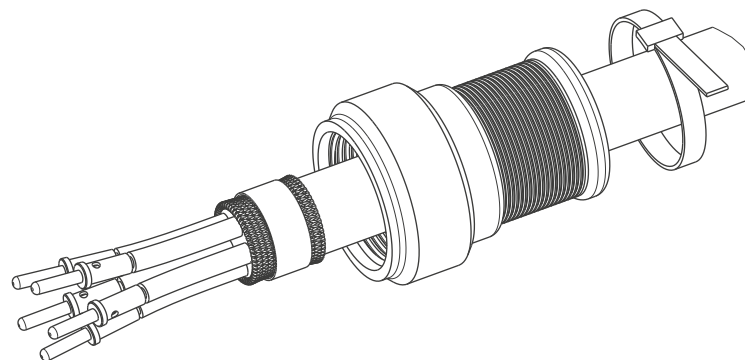
## Step 2

- ▶ Strip cable and conductors ([see page 6](#)). Fold back the shield and use fastening tape (e.g. Würth: 09920019) to fasten it temporarily to the cable jacket.



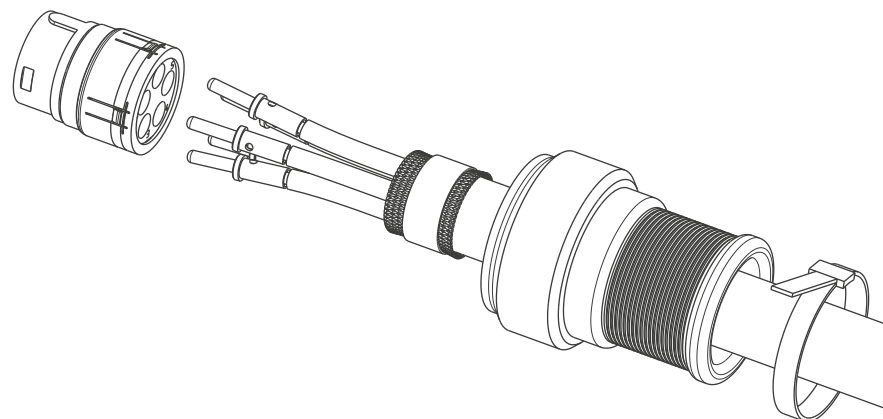
## Step 3

- ▶ Crimp the contacts to the wires. For recommended tools and instructions please see [crimp contact specification D00016300](#).



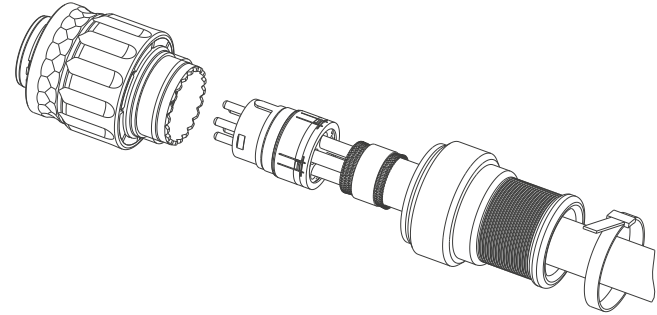
## Step 4

- ▶ Press the terminated contacts into the contact cavities according to the application-specific pinout instructions. Tools can also be found on [crimp contact specification D00016300](#).



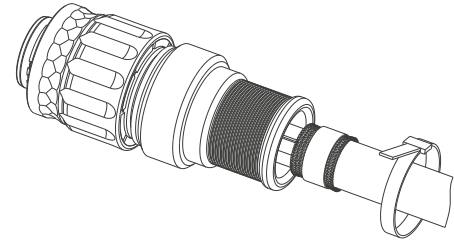
## Step 5

- ▶ Align the exterior key of the insert with the interior keyway of the connector.  
Press the insert assembly into the connector.  
If inserted correctly, there should be an audible “click.”



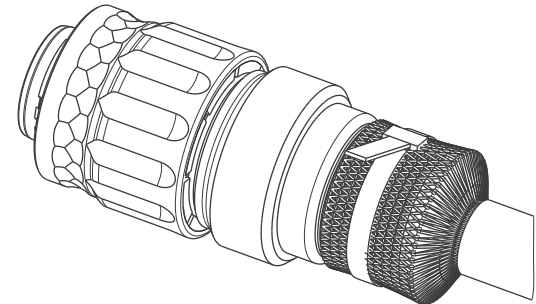
## Step 6

- ▶ Depending on the used backshell, the further assembly process might be different.  
Take care of a related work instruction, if there is one.  
Screw the backshell tight on the connector.



## Step 7

- ▶ Remove the fastening tape and lay the shield braid on to the backshell. Fasten the shield braid to the crimp area by using a metal band. More information on [page 7](#).



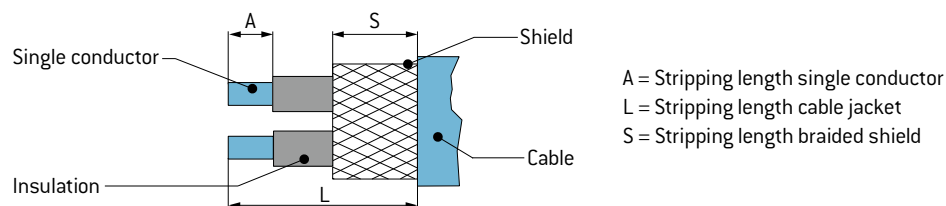
## Step 8

- ▶ Bend relief: Depending on the used backshell, an additional bend relief is needed.  
This can be implemented by using shrink boot. More information on [page 8](#).

# GENERAL NOTES

## RECOMMENDED STRIPPING LENGTH

The following table provides recommended guidelines for cable preparation. Mentioned backshells can be ordered from ODU. For more information see D00016302.



Shell Size	Insert arrangement	Contact	Backshell acc. M85049 / 88- N03 <sup>1</sup>			Backshell acc. M85049 / 90- N03 <sup>1</sup>			Backshell acc. M85049 / 18 N <sub>-</sub> <sup>1,2</sup>		
			L	A	S	L	A	S	L	A	S
9	8 way	#22D	49	4.1	15	80	4.1	15	54	4.1	12
9	10 way	#22D	49	4.1	15	80	4.1	15	54	4.1	12
12	5 way	#16	55	6	15	86	6	15	60	6	12
12	18 way	#20MD	55	5.5	15	86	5.5	15	60	5.5	12
		#22D	55	4.1	15	86	4.1	15	60	4.1	12

All dimensions in mm  
 Tolerance: +10 %

Exceptions are noted on special instructions.

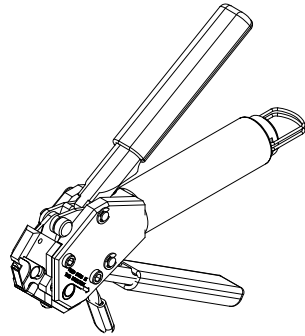
Please note concerning data rate connectors:  
 Before crimping, please bend the strands back slightly in the original direction.  
 If a shield is available for the separate pairs of wires (e.g. STP-Cables), warp it around the pairs as far as possible.

<sup>1</sup> Replace the first underline with the needed shell size. For a connector shell size 9 replace it with 9, for a connector shell size 12 replace it with 13.  
<sup>2</sup> Replace the second underline with the needed clamp size. This depends on the used cable.

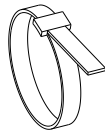
# SHIELD TERMINATION

## METAL BANDS

Crimp tool		
Shell Size	Material number	ODU number
all	50035716	080.000.058.000.000



Tie-dex micro bands		
Shell Size	Material number	ODU number
all	50156242	921.000.004.000.248



# CABLE INTERFACE

## ODU OVERMOLDING

We provide complete solution with straight and right-angled heat shrink boot on request.

Straight heat shrink boot option				
Shell size	Material number	ODU number	Hellermann	TE Connectivity
all	50 15 70 36	921.000.010.008.084	<b>401-52880</b>	202D121-3-60

Right angle heat shrink boot option			
Shell size	Material number	ODU number	Hellermann
all	50 15 70 39	921.000.010.008.087	411-52480

ODU stock parts are written in **bold numbers**.

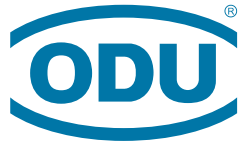
To a better adhesion of the heatshrink boots on housing and cable, ODU recommend to work with an epoxyd-adhesion e.g. Hellermann V9500, TE Connectivity S1125.

[Take care of Hellermann / TE Connectivity work instruction]

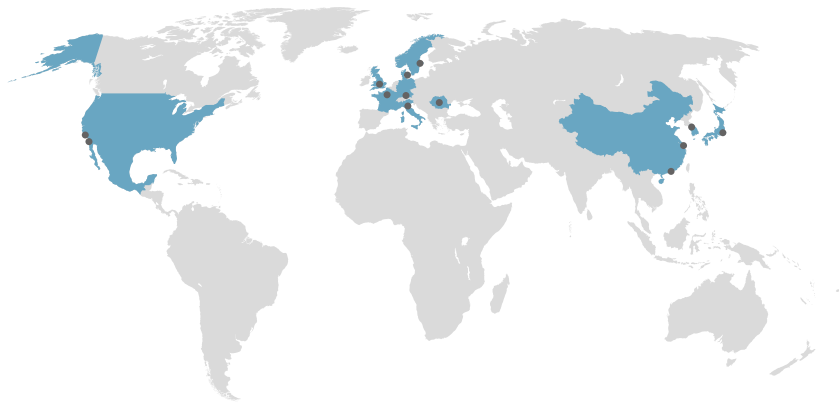
## LINKS FOR ALL OTHER T SERIES DOCUMENTS IN THE DOWNLOAD AREA:

- D00016300 – [Crimp contact specification](#)
- D00016301 – [Product specification](#)
- D00016302 – [Accessories](#)
- D00016303 – [Assembly instruction crimp](#)





## ODU GROUP WORLDWIDE



### PRODUCTION AND LOGISTICS SITES

<b>Germany</b>	Otto Dunkel GmbH
<b>China</b>	ODU (Shanghai) Connectors Manufacturing Co., Ltd.
<b>Mexico</b>	ODU Mexico Manufacturing S. de R.L. de C.V.
<b>Romania</b>	ODU Romania Manufacturing SRL
<b>USA</b>	ODU North American Logistics Inc.

### HEADQUARTERS

#### ODU GmbH & Co. KG

Pregelstraße 11, 84453 Mühldorf a. Inn, Germany  
Phone: +49 8631 6156-0, Fax: +49 8631 6156-49, E-mail: [sales@odu.de](mailto:sales@odu.de)

### SALES LOCATIONS

**ODU (Shanghai) International Trading Co., Ltd.**  
Phone: +86 21 58347828-0  
E-mail: [sales@odu.com.cn](mailto:sales@odu.com.cn)  
[www.odu.com.cn](http://www.odu.com.cn)

**ODU (HK) Trading Co., Ltd.**  
Phone: +852 3963-9588  
E-mail: [sales@odu.hk](mailto:sales@odu.hk)  
[www.odu.hk](http://www.odu.hk)

**ODU Denmark ApS**  
Phone: +45 2233 5335  
E-mail: [sales@odu-denmark.dk](mailto:sales@odu-denmark.dk)  
[www.odu-denmark.dk](http://www.odu-denmark.dk)

**ODU-France SARL**  
Phone: +33 1 3935-4690  
E-mail: [sales@odu.fr](mailto:sales@odu.fr)  
[www.odu.fr](http://www.odu.fr)

**ODU Italia S.R.L.**  
Phone: +39 331 8708847  
E-mail: [sales@odu-italia.it](mailto:sales@odu-italia.it)  
[www.odu-italia.it](http://www.odu-italia.it)

**ODU Japan K.K.**  
Phone: +81 3 6441 3210  
E-mail: [sales@odu.co.jp](mailto:sales@odu.co.jp)  
[www.odu.co.jp](http://www.odu.co.jp)

**ODU Korea Inc.**  
Phone: +82 2 6964 7181  
E-mail: [sales@odu-korea.kr](mailto:sales@odu-korea.kr)  
[www.odu-korea.kr](http://www.odu-korea.kr)

**ODU Romania Manufacturing SRL**  
Phone: +40 269 704638  
E-mail: [sales@odu-romania.ro](mailto:sales@odu-romania.ro)  
[www.odu-romania.ro](http://www.odu-romania.ro)

**ODU Scandinavia AB**  
Phone: +46 176 18262  
E-mail: [sales@odu.se](mailto:sales@odu.se)  
[www.odu.se](http://www.odu.se)

**ODU-UK Ltd.**  
Phone: +44 330 002 0640  
E-mail: [sales@odu-uk.co.uk](mailto:sales@odu-uk.co.uk)  
[www.odu-uk.co.uk](http://www.odu-uk.co.uk)

**ODU-USA Inc.**  
Phone: +1 805 484-0540  
E-mail: [sales@odu-usa.com](mailto:sales@odu-usa.com)  
[www.odu-usa.com](http://www.odu-usa.com)

**Further information and specialized representatives can be found at:**  
[www.odu-connectors.com/contact](http://www.odu-connectors.com/contact)



Simply scan the QR code to download the entire publication.

[www.odu-connectors.com](http://www.odu-connectors.com)

All dimensions are in mm. Some figures are for illustrative purposes only. Subject to change without notice. Errors and omissions excepted. We reserve the right to change our products and their technical specifications at any time in the interest of technical improvement. This publication supersedes all prior publications. This publication is also available as a PDF file that can be downloaded from [www.odu-connectors.com](http://www.odu-connectors.com)